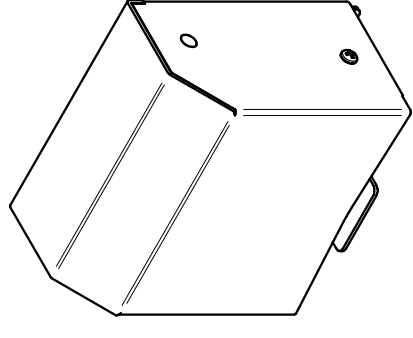
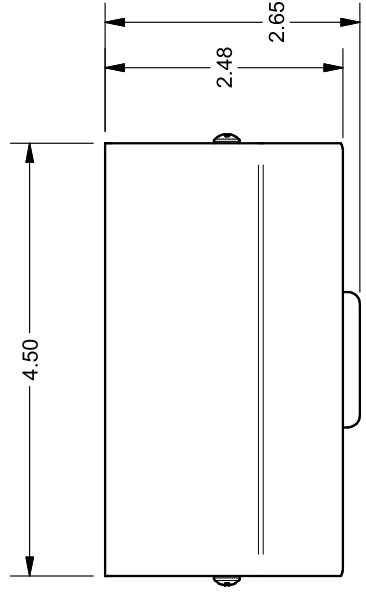
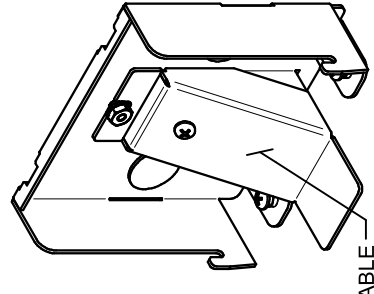


1 2 3 4

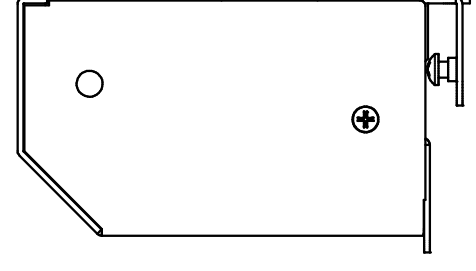
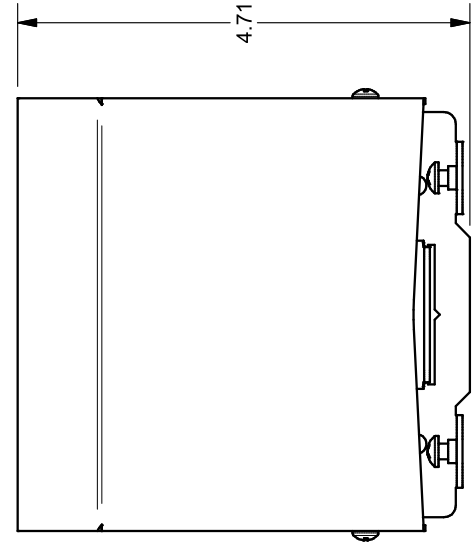


WITH COVER

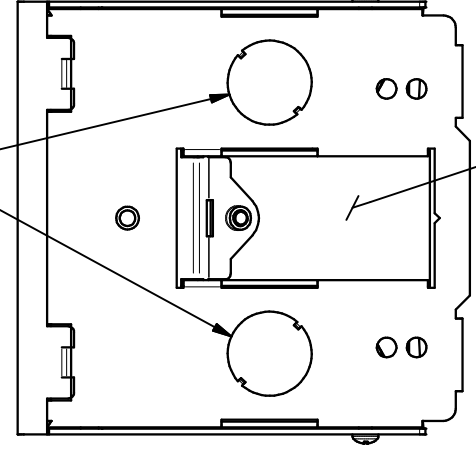


REMOVABLE  
LOW VOLTAGE  
COVER

WITHOUT COVER



1/2" TRADE-SIZE  
KNOCKOUT  
(POWER)



OPENING  
(LOW VOLTAGE)

**FSR inc.**  
244 BERGEN BLVD.  
WOODCLIFF PARK, NJ 07677  
TEL (973) 785-4347  
FAX (973) 785-3318

TITLE: SW-WF-HP

DRAWN BY: JRE	DATE: 07/22/19	REV: -
DWG#: SW-WF-HP	SCALE: -	

POWER COMPARTMENT VOLUME: 38 cu. in.

1 2 3 4